

# Prosilica GX

## 2300



- 240 MBps with dual port LAG technology
- 3-axis motorized lens control
- 32 fps at full resolution
- ON Semi KAI-04050 sensor

### Shift up to double speed

The fastest Gigabit Ethernet cameras in the world -  
240MB/s

Prosilica GX 2300 搭载 ON Semi KAI-04050 传感器，在 4.1 MP 分辨率下速度可达 32.0 帧/秒。

Prosilica GX cameras are fast, compact machine vision cameras with Gigabit Ethernet interface (GigE Vision®). The GX-Series have two screw-captivated Gigabit Ethernet ports configured as a Link Aggregation Group (LAG) to provide a sustained maximum data rate of 240 MBytes per second. Prosilica GX can also work at half the bandwidth (120 MB/s) using a single cable.

- Very Fast - 240 MB/s
- 3-axis motorized lens control and video-type autoiris
- Single or dual Ethernet port operation
- 1 to 29 Megapixel
- Fast frame rates upto 112 fps
- OnSemi KAI or Sony quad-tap CCD sensors
- Modular options available

## 性能参数

|          |                      |
|----------|----------------------|
| 接口       | IEEE 802.3 1000baseT |
| 分辨率      | 2336 (H) × 1752 (V)  |
| 传感器      | ON Semi KAI-04050    |
| 传感器类型    | CCD Progressive      |
| 快门种类     | GS (Global shutter)  |
| 传感器尺寸    | Type 1               |
| 像元尺寸     | 5.5 μm × 5.5 μm      |
| 标准镜头接口   | C-Mount              |
| 最大满帧帧率   | 32 fps               |
| ADC      | 14 Bit               |
| 缓存 (RAM) | 128 MByte            |

## 输出

|            |   |
|------------|---|
| Bit 位数     | 14-bit (monochrome); 12-bit (color)                           |
| 黑白像素格式     | Mono8, Mono12, Mono12Packed, Mono14                           |
| RGB 彩色像素格式 | RGB8Packed, BGR8Packed, RGBA8Packed, BGRA8Packed, RGB12Packed |
| 原始像素格式     | BayerGR8, BayerGR12, BayerGR12Packed                          |

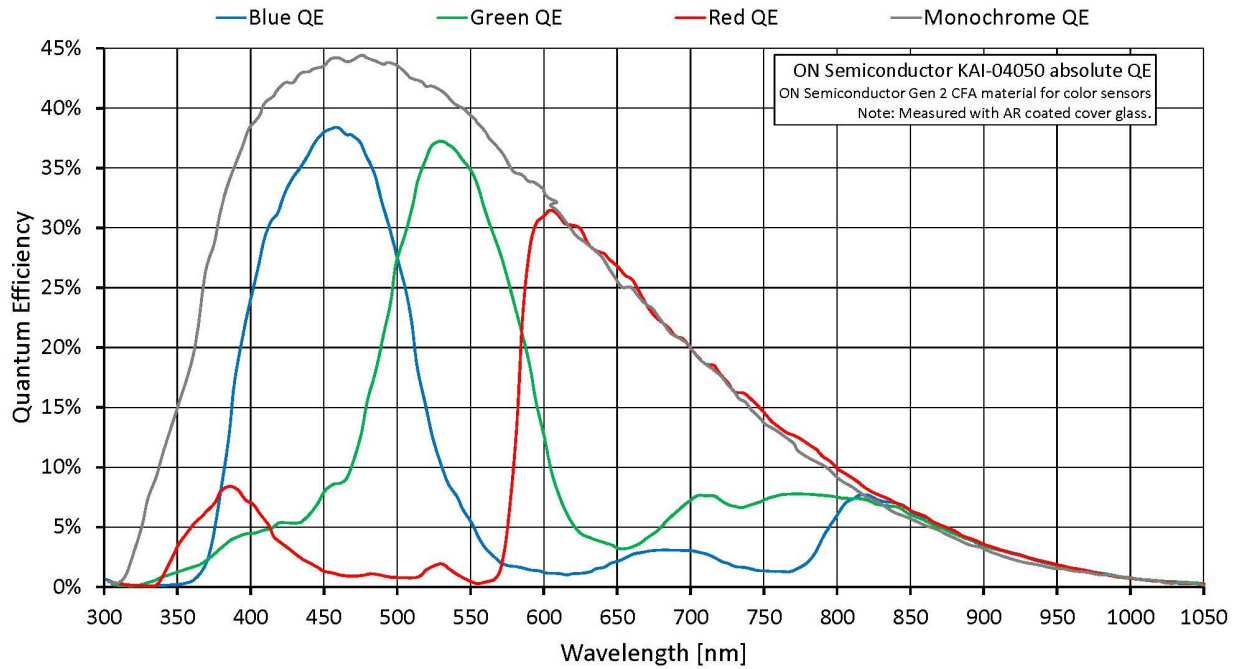
## 通用输入输出口 (GPIOs)

|         |                     |
|---------|---------------------|
| 光耦 I/Os | 2 inputs, 4 outputs |
| RS232   | 1                   |

## 工作条件/尺寸

|                      |  |
|----------------------|--|
| 工作温度                 | 0 °C to +50 °C ambient (without condensation)                        |
| 电源要求 (DC)            | 10 to 24 VDC   |
| 功耗                   | 5.8 W at 12 VDC (Single GigE Mode); 6.9 W at 12 VDC (Dual GigE Mode) |
| 重量                   | 269 g  |
| 尺寸 (L × W × H in mm) | 107.2 × 53.3 × 33 (including connectors)                             |

## 量子转换效率

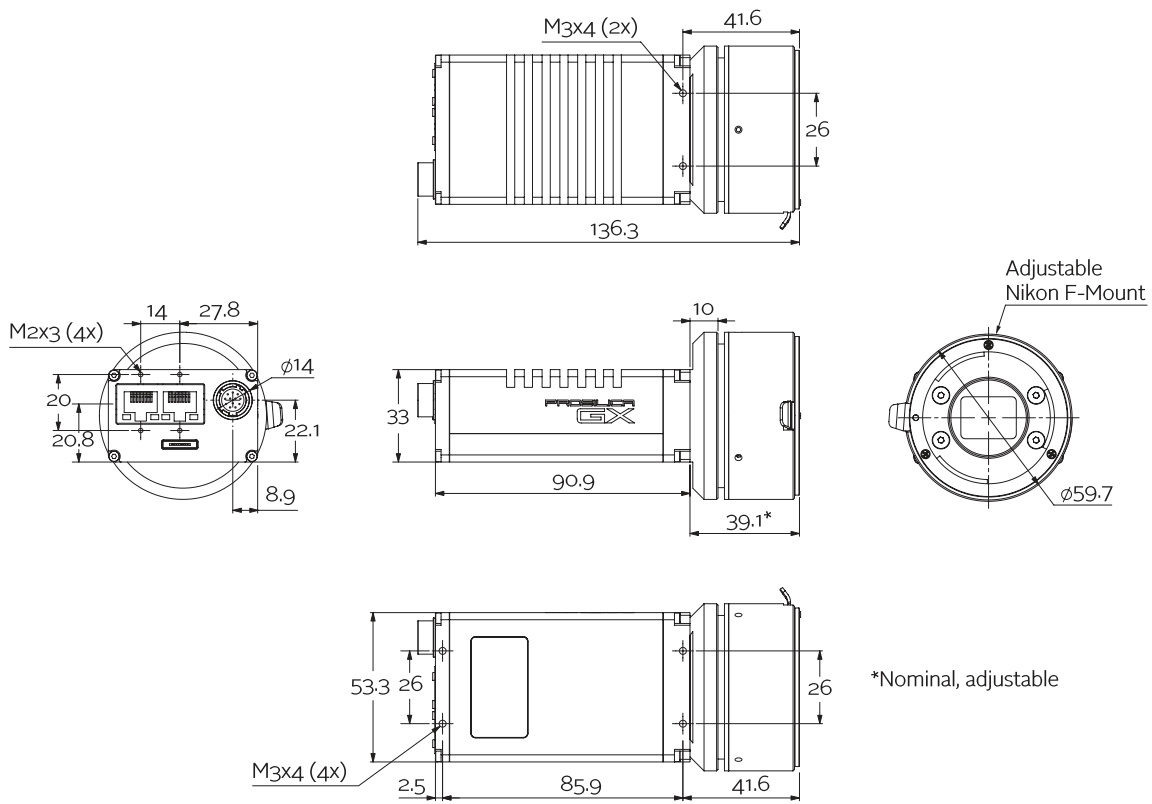


## 特性

Prosilica GX2300 features include:

- 3-axis motorized lens control
- Video-type auto iris
- Region of interest (ROI), DSP subregion (selectable ROI for auto features)
- Binning (Sum)
- Auto gain (manual gain control: 0 to 34 dB)
- Auto exposure (manual exposure controls: 10  $\mu$ s to 26.8 s)
- Auto white balance
- StreamBytesPerSecond (bandwidth control)
- Stream hold
- Sync out modes: Trigger ready, input, exposing, readout, imaging, strobe, GPO
- Global shutter (digital shutter)
- Recorder and Multiframe acquisition modes
- Event channel
- Chunk data
- Storable user sets

## 外形尺寸



\*Nominal, adjustable

Prosilica GX2300 is ideal for a wide range of applications including:

- LCD panel inspection
- High-resolution industrial inspection
- 3D metrology
- General machine vision
- Public security
- Military surveillance
- Traffic imaging (Intelligent Traffic Systems)
- Embedded systems
- OEM applications