



- Versatile IEEE 1394b camera
- Advanced feature set
- Many variants
- High frame rates

High-end FireWire

Fast 1394b cameras with high frame rates and powerful features

Pike F-210 搭载 ON Semi KAI-2093 传感器，在 2.1 MP 分辨率下速度可达 31.0 帧/秒。

The Pike is a fast IEEE 1394b camera for demanding applications (e.g. industrial and medical imaging). Numerous pre-processing functions produce an outstanding image quality. Pike cameras operate with very high frame rates.

Pike cameras include extraordinary image pre-processing functions like the High SNR mode (up to 24 dB better signal-to-noise ratio).

Pike cameras are available both with two copper ports (for daisy-chaining) and with copper/GOF (glass optical fiber) ports.

- Sony and OnSemi CCD sensors (1/3, 1/2, 2/3, 1, 1.2, 35 mm)
- 8 models (VGA to 16 Megapixel)
- Options
 - 1394b connectors: daisy chain copper or copper and GOF
 - Various IR cut/pass filters
 - F/M39-Mount (F-032 only: CS/M12-Mount)
 - Pike F-1100/F-1600: M42/M58-Mount
 - Hirose power: out
 - Angled head
 - White medical housing
 - Sensor variants: Taped cover glass w/o microlenses, fixed quartz cover glass w/o microlenses available for some models

性能参数

接口	IEEE 1394b - 800 Mb/s, 2 ports, daisy chain, fiber optic (GOF) optional
分辨率	1920 (H) × 1080 (V)
传感器	ON Semi KAI-2093
传感器类型	CCD Progressive
传感器尺寸	Type 1
像元尺寸	7.4 μm × 7.4 μm
标准镜头接口	C-Mount
最大满帧帧率	31 fps
ADC	14 Bit
缓存 (RAM)	64 MByte

输出

Bit 位数	8-bit to 14-bit
黑白像素格式	Mono8, Mono12, Mono16

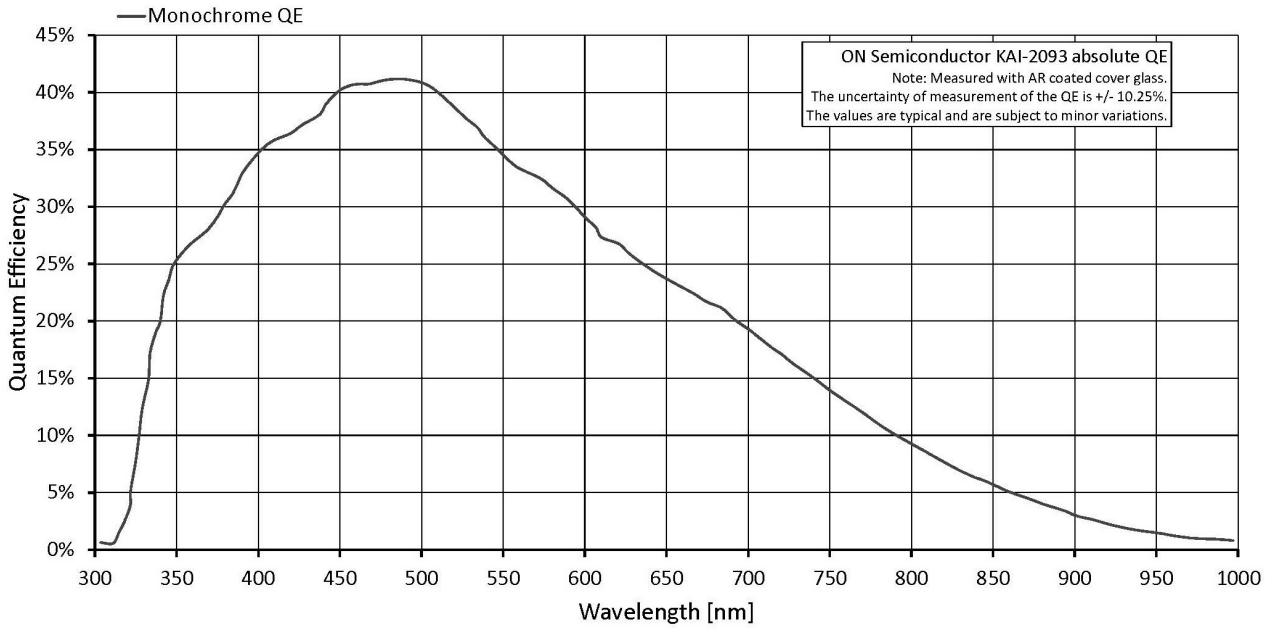
通用输入输出口 (GPIOs)

光耦 I/Os	2 inputs, 4 outputs
RS232	1

工作条件/尺寸

工作温度	+5 °C to +50 °C
电源要求 (DC)	8 V to 36 V
功耗	4 W (@ 12 VDC)
重量	250 g
尺寸 (L × W × H in mm)	96.8 × 44 × 44 (including connectors)

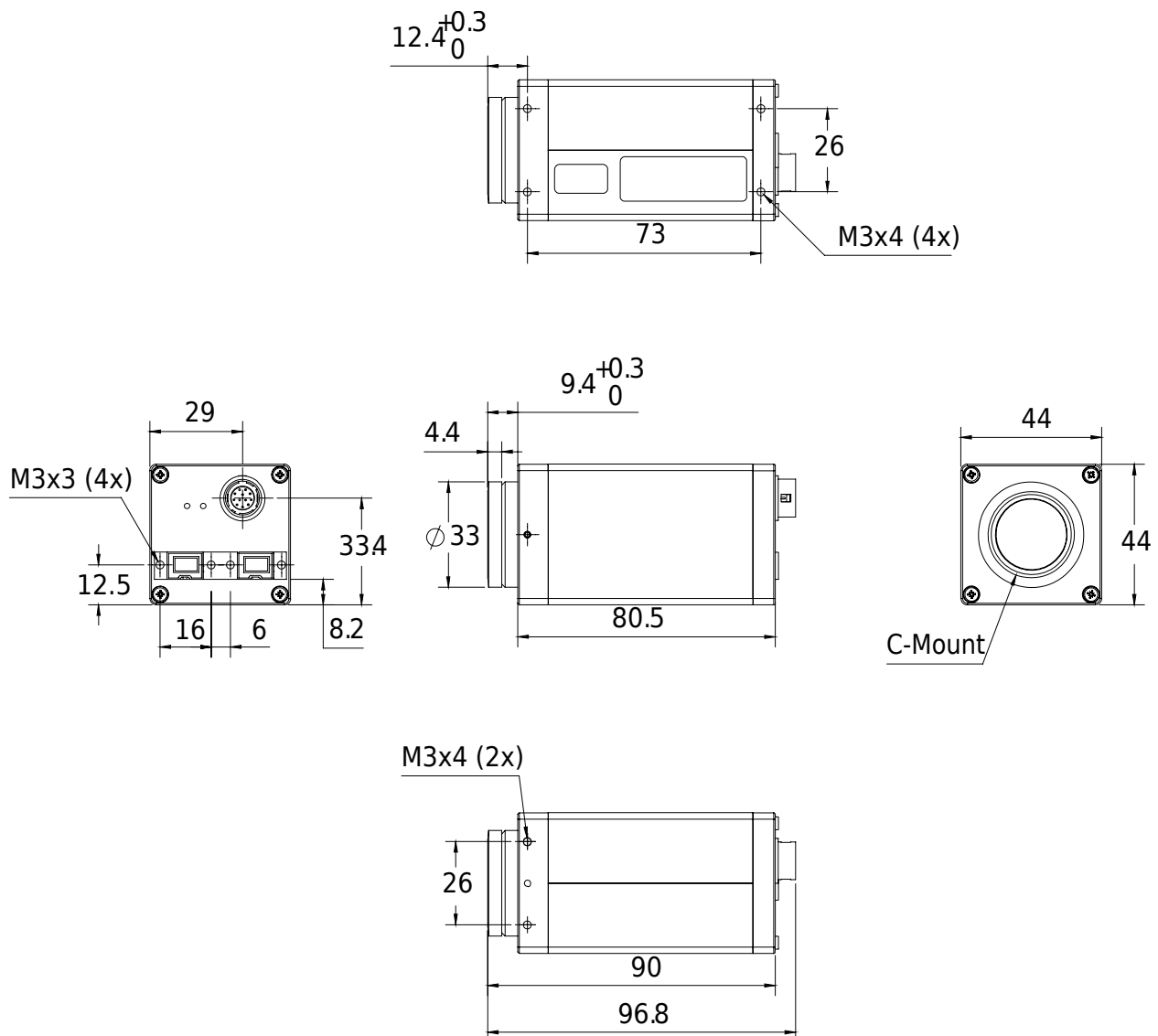
量子转换效率



特性

- High SNR mode (up to 24 dB better signal-to-noise ratio)
- Low-noise binning mode
- Smear reduction
- Shading correction
- Area of interest (AOI), separate AOI for auto features
- Binning
- Decimation
- Auto gain (manual gain control: 0 to 22 dB)
- Auto exposure (43 μ s to 67 s)
- Look-up table (LUT)
- Reverse X
- Deferred image transport
- Trigger programmable, level, single, bulk, programmable delay
- Sequence mode (changes the camera settings on the fly)
- SIS (secure image signature, time stamp for trigger, frame count)
- Storable user sets

外形尺寸



应用场景

The Pike F-210B suits for applications which require the highest quality in HDTV resolution (1920 x 1080) at video frame rates. Besides the excellent image quality, its flexibility makes it suitable for many applications. The fiber version supports cable lengths of 400 meters and even more without any additional repeaters. **Pike cameras are especially suited for:**

- Entertainment, movie pre-production, video recording
- OEM applications (modular concept)
- Motion studies
- Science and research

- Healthcare and sports
- Event documentation
- Intelligent traffic solutions (ITS)
- Long cable lengths, 400 meters and more (fiber version)