



- 40 fps at full resolution
- PoE optional
- Angled-head and board level variants
- Video-iris lens control

简化多相机应用设置

搭载千兆网接口的模块化机器视觉相机

Manta G-095 搭载 Sony ICX692 传感器，在 0.9 MP 分辨率下速度可达 40.0 帧/秒。

Manta 是 Allied Vision 用途最广泛的千兆网口相机系列。该系列相机可提供最丰富的图像传感器选项，并且凭借先进的功能组合简化了多相机应用设置。模块化硬件概念更是让 Manta 相机可提供近乎无限的配置选择，以灵活满足各种应用的需求。

与 Allied Vision 的 **Vimba 套件** 轻松集成，并与最流行的 **第三方图像处理库** 兼容。

请参阅关于镜头接口、外壳选项、光学滤镜、外壳设计和其他模块化选项。如需特别定制，请参阅 **OEM 定制方案** 网页。

性能参数

接口	IEEE 802.3 1000BASE-T, IEEE 802.3af (PoE) optional
分辨率	1292 (H) × 734 (V)
传感器	Sony ICX692
传感器类型	CCD Progressive
快门种类	GS (Global shutter)
传感器尺寸	Type 1/3
像元尺寸	4.08 μm × 4.08 μm
Lens mounts (available)	C-Mount, CS-Mount
最大满帧帧率	40 fps
ADC	12 Bit
缓存 (RAM)	32

输出

Bit 位数	8-bit or 12-bit
黑白像素格式	Mono8, Mono12, Mono12Packed
YUV 彩色像素格式	YUV411Packed, YUV422Packed, YUV444Packed
RGB 彩色像素格式	RGB8Packed, BGR8Packed, RGBA8Packed, BGRA8Packed
原始像素格式	BayerRG8, BayerRG12Packed, BayerRG12

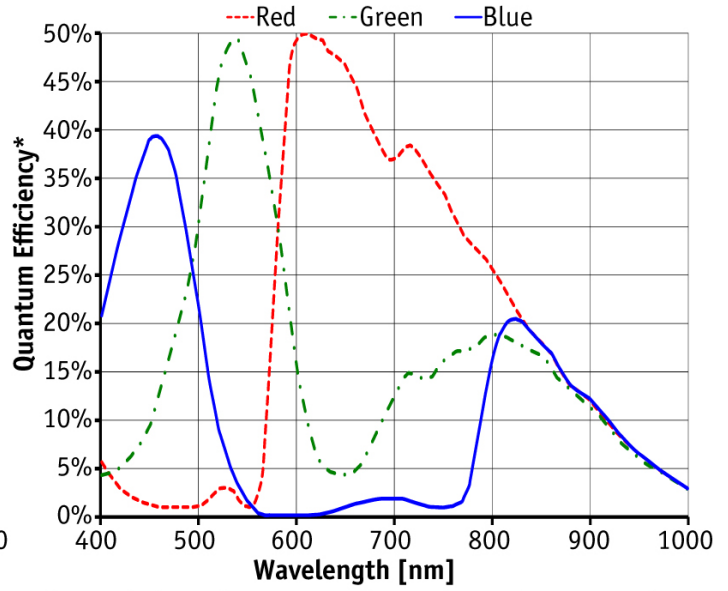
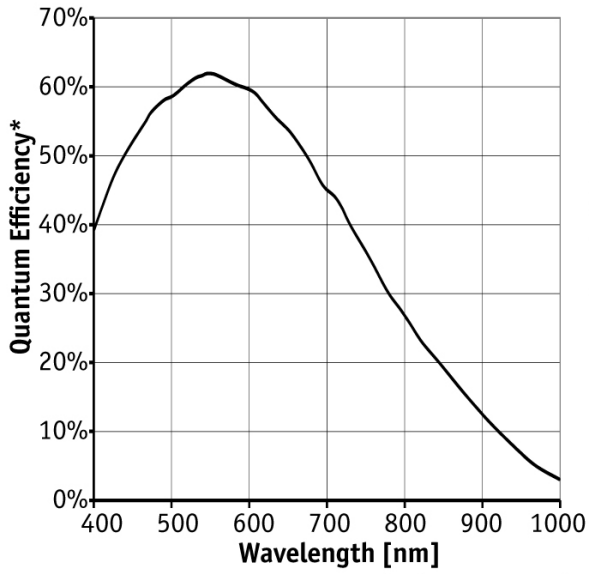
通用输入输出口 (GPIOs)

光耦 I/Os	2 inputs, 2 outputs
RS232	1

工作条件/尺寸

工作温度	+5 °C to +45 °C
电源要求 (DC)	8 to 30 VDC AUX or 802.3af PoE
功耗	3.6 W at 12 VDC; 4.2 W PoE
重量	200 g; 210 g (PoE)
尺寸 (L × W × H in mm)	86.4 × 44 × 29 (including connectors)

量子转换效率

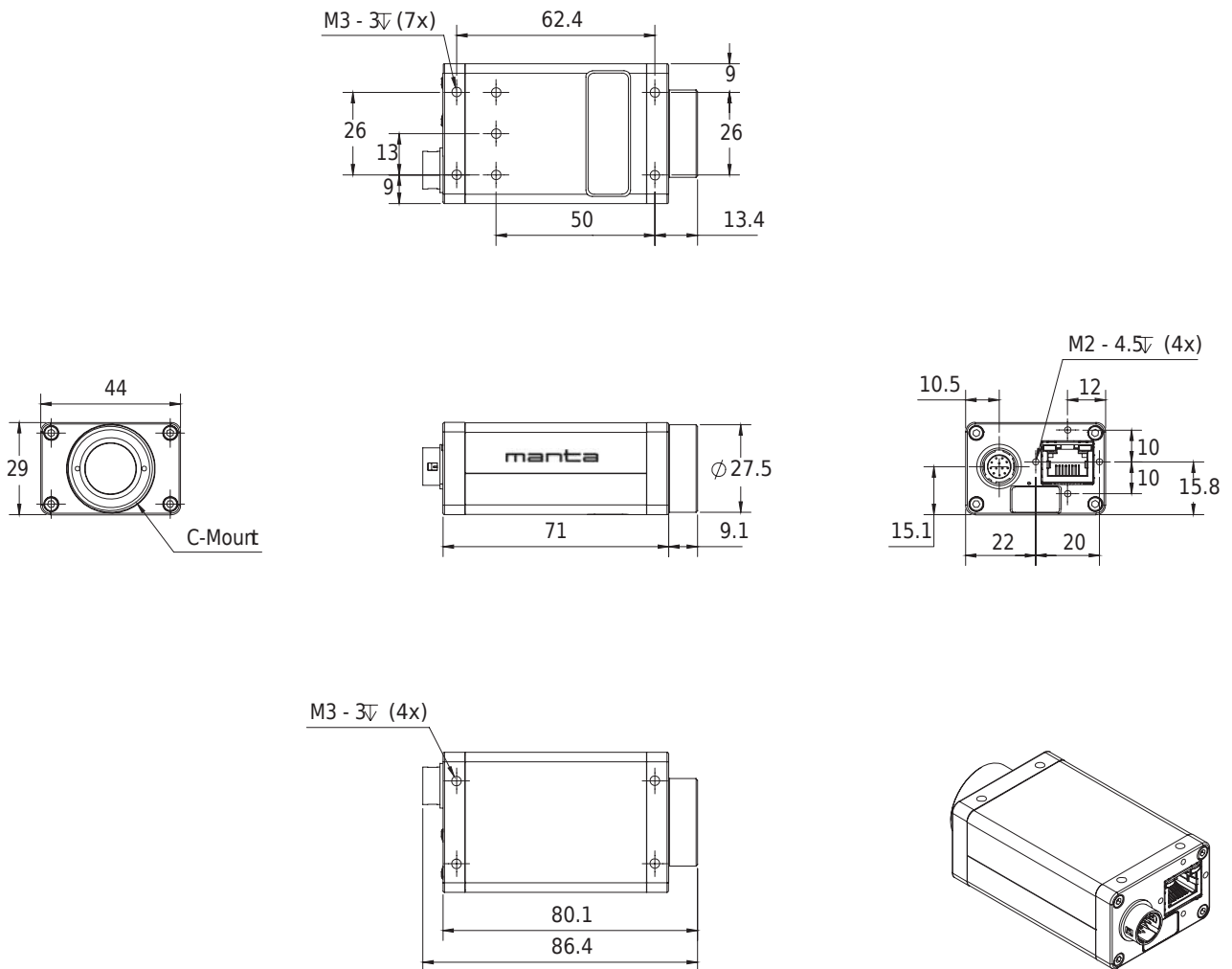


*QE measured without protection glass or filters. With glass or filters, quantum efficiency decreases by approximately 10%.

特性

- Video-type auto iris
- ROI, separate ROI for auto features
- Binning
- Decimation
- Auto gain (manual gain control: 0 to 32 dB)
- Auto exposure (45 μ s to 60 s)
- Auto white balance
- LUTs (look-up tables)
- Gamma
- Hue, saturation, color correction
- StreamBytesPerSecond (easy bandwidth control)
- Stream hold
- Sync out modes: Trigger ready, input, exposing, readout, imaging, strobe, GPO
- Event channel
- Chunk data
- Storable user sets

外形尺寸



应用场景

Manta G-095B/C is a very sensitive color camera with GigE Vision interface and PoE option. Like the other Manta cameras, it includes three separate look-up tables for R, G, and B, angled heads, or boardlevel versions with separate sensor head. Typical applications:

- Security and Surveillance
- Imaging with low light level
- Microscopy (low light)
- ... and many more