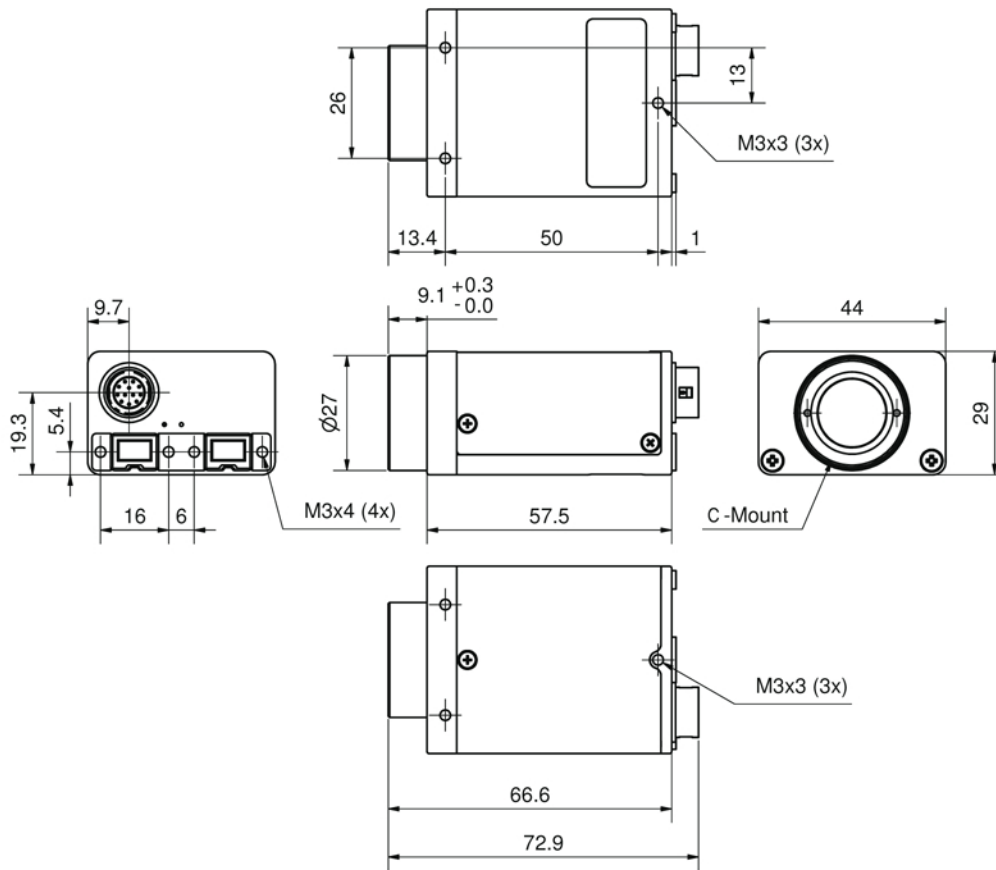


STINGRAY standard housing (2 x 1394b copper)



Stingray (2x IEEE 1394b)
72.9 x 44 x 29 (L x W x H)