



- PoE option
- Auto iris
- Angled head option
- Board level option

Simplify your setup of multi-camera applications

Modular machine vision camera with GigE Vision interface

Manta G-146 with Sony ICX267 runs 17.0 frames per second at 1.4 MP resolution.

Manta is Allied Vision's most versatile GigE Vision camera series. It provides the largest choice of image sensors and its advanced feature set simplifies the setup of multi-camera applications. With its modular hardware concept, Manta offers nearly endless configuration possibilities to adapt the camera to your application.

Easy software integration with Allied Vision's **Vimba Suite** and compatibility to the most popular **third party image-processing libraries**.

See the **Modular Concept** for lens mount, housing variants, optical filters, case design, and other modular options. See the **Customization and OEM Solutions** webpage for additional options.

Specifications

| | |
|------------------------------------|--|
| Interface | IEEE 802.3 1000BASE-T, IEEE 802.3af (PoE) optional |
| Resolution | 1388 (H) × 1038 (V) |
| Sensor | Sony ICX267 |
| Sensor type | CCD Progressive |
| Sensor size | Type 1/2 |
| Pixel size | 4.65 μm × 4.65 μm |
| Lens mounts (available) | C-Mount, CS-Mount |
| Max. frame rate at full resolution | 17 fps |
| ADC | 12 Bit |
| Image buffer (RAM) | 32 MByte |

Imaging performance

Imaging performance data is based on the evaluation methods in the EMVA 1288 Release 3.1 standard for characterization of image sensors and cameras. Measurements are typical values for monochrome models measured at full resolution without optical filter. Contact Sales or AE for more information.

| | |
|--------------------------------|----------------------|
| Quantum efficiency at 529 nm | 41 % |
| Temporal dark noise | 12.4 e ⁻ |
| Saturation capacity | 11400 e ⁻ |
| Dynamic range | 58.9 dB |
| Absolute sensitivity threshold | 12.9 e ⁻ |

Output

| | |
|--------------------------|--|
| Bit depth | 8-bit or 12-bit |
| Monochrome pixel formats | Mono8, Mono12, Mono12Packed |
| YUV color pixel formats | YUV411Packed, YUV422Packed, YUV444Packed |
| RGB color pixel formats | RGB8Packed, BGR8Packed, RGBA8Packed, BGRA8Packed |
| Raw pixel formats | BayerGB8, BayerGB12Packed, BayerGB12 |

General purpose inputs/outputs (GPIOs)

| | |
|--------------------|---------------------|
| Opto-isolated I/Os | 2 inputs, 2 outputs |
|--------------------|---------------------|

RS232

1

Operating conditions/dimensions

Operating temperature +5 °C to +45 °C ambient (without condensation)

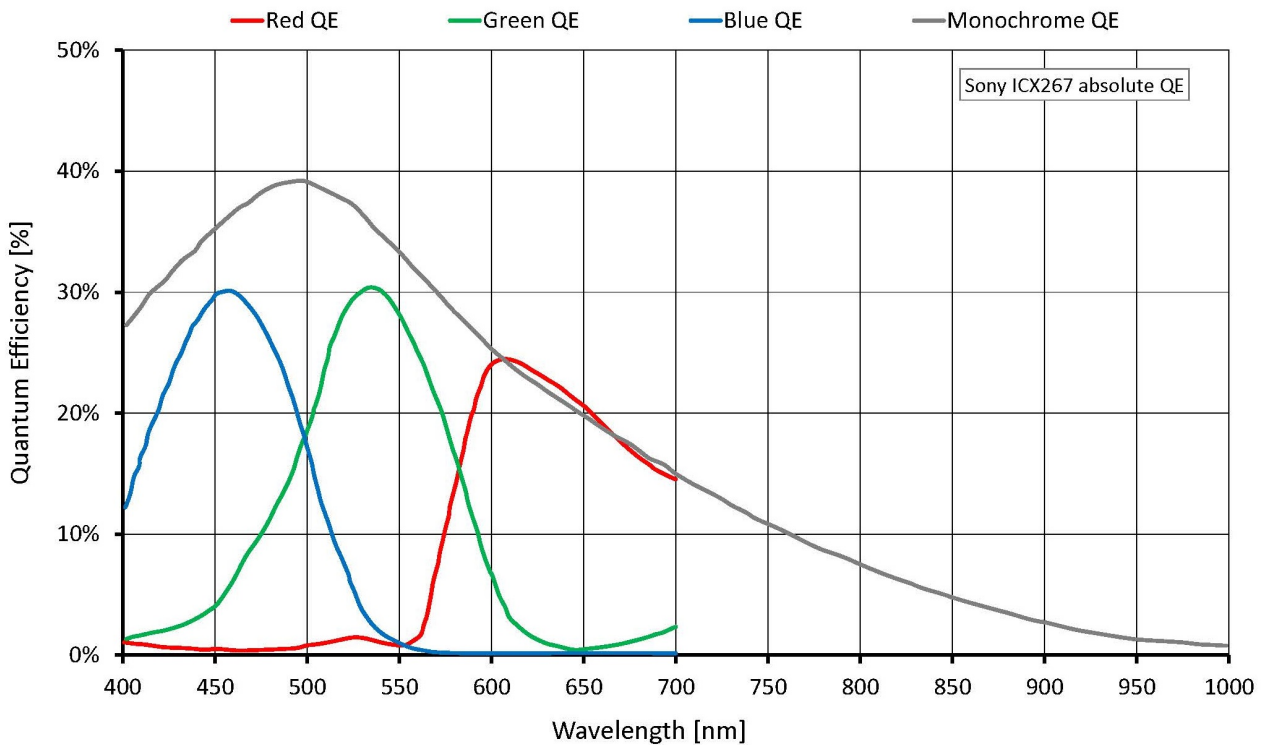
Power requirements (DC) 8 to 30 VDC AUX or IEEE 802.3af PoE

Power consumption External power: 2.6 W at 12 VDC | Power over Ethernet: 3.2 W

Mass 200 g; 210 g (PoE)

Body dimensions (L × W × H in mm) 86.4 × 44 × 29 (including connectors)

Quantum efficiency



Features

Image control: Auto

- Auto exposure
- Auto gain
- Auto white balance (color models)

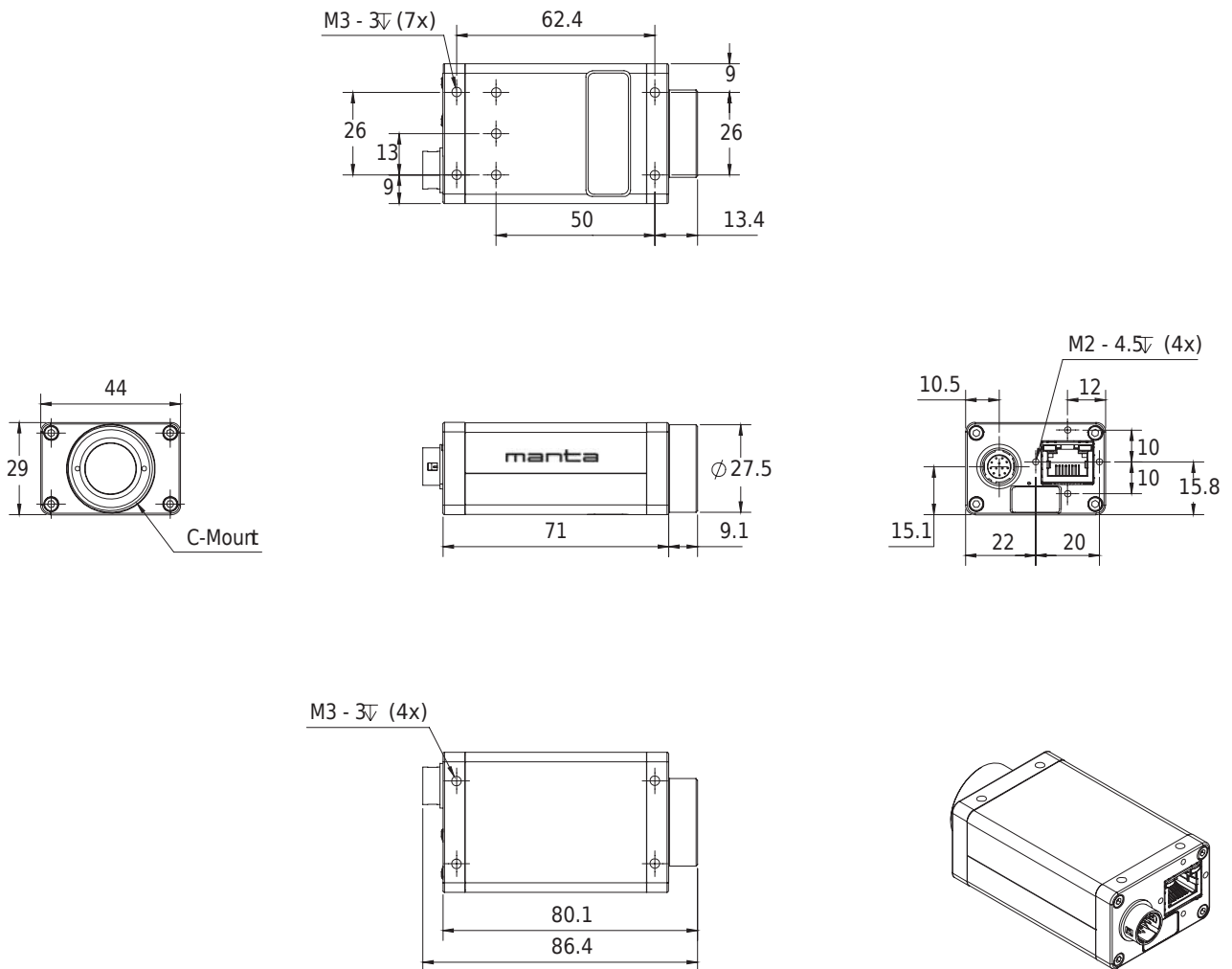
Image control: Other

- Binning
- Black level
- Color transformation (incl. hue, saturation; color models)
- Decimation
- Gamma
- LUT (look-up table)
- Reverse X
- ROI (region of interest)

Camera control

- Acquisition frame rate
- Auto iris
- Bandwidth control
- Event channel
- Firmware update in the field
- I/O and trigger control
- Image chunk data
- Stream hold
- User sets

Technical drawing



Applications

Manta G-146 is ideal for a wide range of applications including:

- Machine vision
- Industrial inspection
- Logistics and automation
- Healthcare
- Intelligent traffic solutions (ITS)